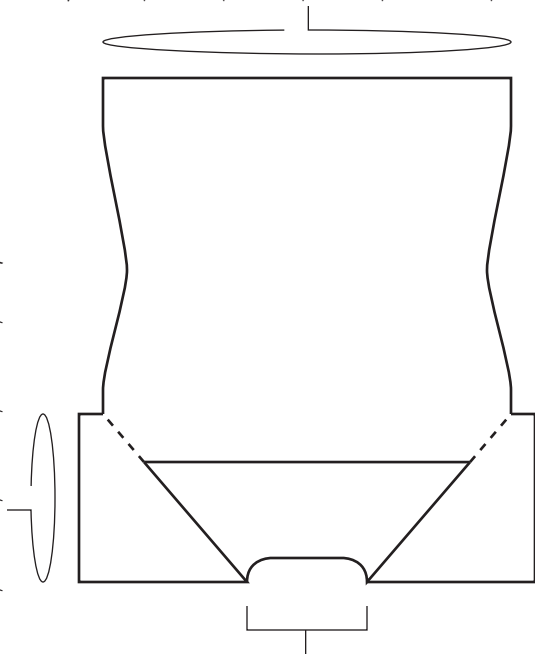


$32\frac{1}{4}$ ($37\frac{1}{4}$, $41\frac{1}{4}$, $45\frac{1}{4}$, $49\frac{1}{4}$, $53\frac{1}{4}$, $57\frac{1}{4}$)"
84.5 (94.5, 105, 115, 125, 135.5, 145.5) cm

$13\frac{1}{2}$ ($14\frac{1}{2}$, $15\frac{1}{4}$, 16 , $16\frac{3}{4}$, $17\frac{1}{2}$, $18\frac{1}{2}$)"
34.5 (37, 38.5, 40.5, 42.5, 44.5, 47) cm



$5\frac{1}{2}$ "
14 cm

$15\frac{1}{2}$ "
39.5 cm

7 ($7\frac{1}{2}$, 8, $8\frac{1}{2}$, 9, $9\frac{1}{4}$, 10)"
18 (19, 20.5, 21.5, 23, 24, 25.5) cm