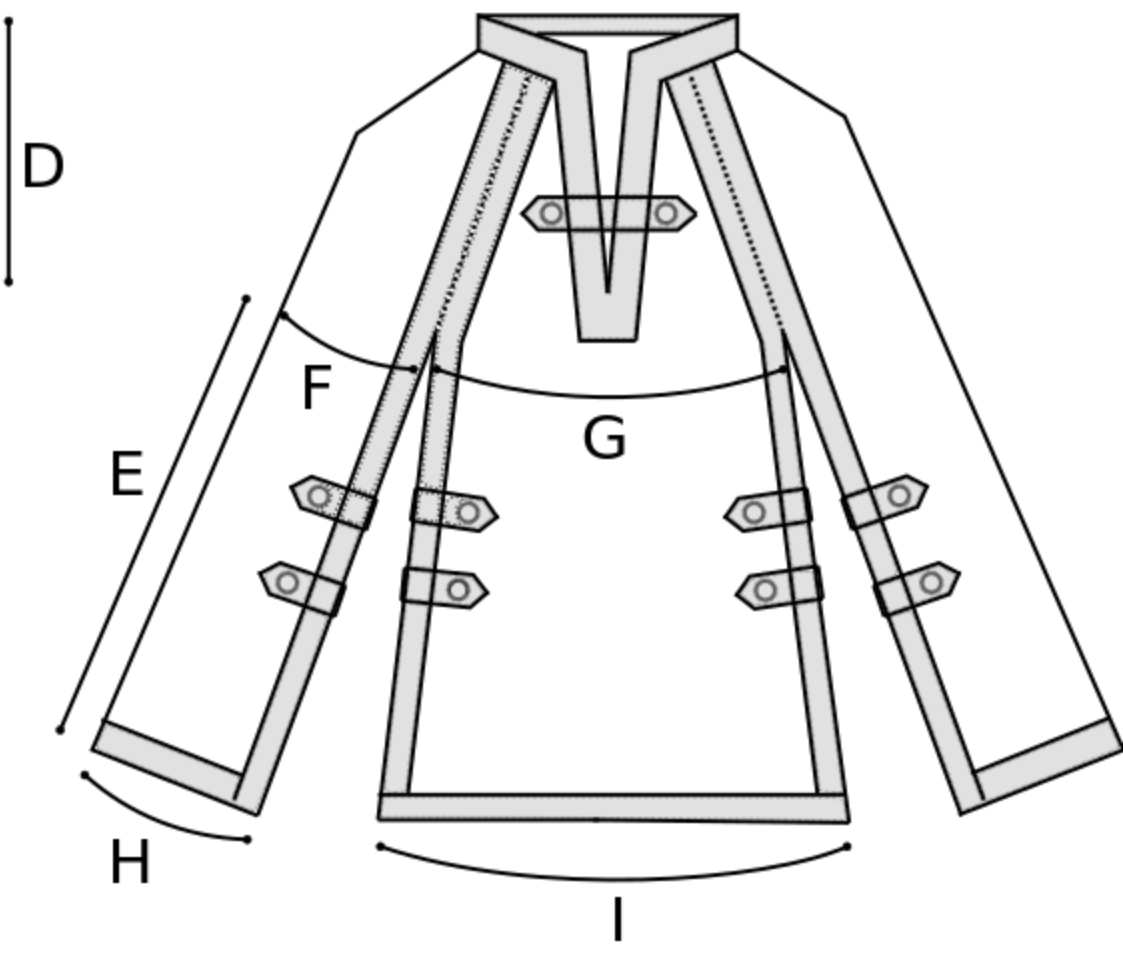


Worn as a poncho or tippet



Worn as a sweater with side slits